

# BRYSTON

**PS-3** DC Power Supply

## Owner's Manual



## Important Safety Instructions





The lightning flash with arrowhead symbol within an equilateral triangle, is intended to alert the user to the presence of un-insulated “dangerous voltage” within the product’s enclosure that may be of sufficient magnitude to constitute a risk of electric shock to persons.



The exclamation point within an equilateral triangle is intended to alert the user to the presence of important operating and maintenance (servicing) instructions in the literature accompanying the product.

1. Read these instructions.
2. Keep these instructions.
3. Heed all warnings.
4. Follow all instructions.
5. Do not use this apparatus near water.
6. Clean only with dry cloth.
7. Do not block any ventilation openings. Install in accordance with the manufacturer’s instructions.
8. Do not install near any heat sources such as radiators, heat registers, stoves, or other apparatus (including amplifiers) that produce heat.
9. Do not defeat the safety purpose of the polarized or grounding-type plug. A polarized plug has two blades with one wider than the other. A grounding type plug has two blades and a third grounding prong. The wide blade or the third prong are provided for your safety. If the provided plug does not fit into your outlet, consult an electrician for replacement of the obsolete outlet.
10. Protect the power cord from being walked on or pinched particularly at plugs, convenience receptacles, and the point where they exit from the apparatus.

11. Only use attachments/accessories specified by the manufacturer.
12.  Use only with the cart, stand, tripod, bracket, or table specified by the manufacturer, or sold with the apparatus. When a cart is used use caution when moving the cart/apparatus combination to avoid injury from tip-over.
13.  Any terminals marked with the preceding symbol are HAZARDOUS LIVE and any wiring connected to these terminals must be installed by an INSTRUCTED PERSON or with ready-made leads or cords.
14. Unplug this apparatus during lightning storms or when unused for long periods of time.
15. Refer all servicing to qualified service personnel. Servicing is required when the apparatus has been damaged in any way, such as power-supply cord or plug is damaged, liquid has been spilled or objects have fallen into the apparatus, the apparatus has been exposed to rain or moisture, does not operate normally, or has been dropped.

**WARNING: TO REDUCE THE RISK OF FIRE OR ELECTRIC SHOCK, DO NOT EXPOSE THIS APPARATUS TO RAIN OR MOISTURE. DO NOT EXPOSE THIS EQUIPMENT TO DRIPPING OR SPLASHING AND ENSURE THAT NO OBJECTS FILLED WITH LIQUIDS, SUCH AS VASES, ARE PLACED ON THE EQUIPMENT. TO COMPLETELY DISCONNECT THIS EQUIPMENT FROM THE AC MAINS, DISCONNECT THE POWER SUPPLY CORD PLUG FROM THE AC RECEPTACLE. THE MAINS PLUG OF THE POWER SUPPLY CORD SHALL REMAIN READILY OPERABLE.**

### BRYSTON LIMITED WARRANTY

Bryston analog audio products are warranted to be free from manufacturing defects for twenty (20) years from the original date of manufacture. The warranty includes parts and labour. Bryston digital products and cables are warranted for five years from the original date of manufacture. The warranty includes parts and labour.

Bryston products having motorized moving parts, excluding motorized volume controls, are warranted for three years from the original date of manufacture. The warranty includes parts and labour.

Bryston will remedy the problem by repair or replacement, as we deem necessary, to restore the product to full performance. Bryston will pay return shipping only for the full length of the specific product’s warranty.

In the event of a defect or malfunction, contact Bryston’s repair centers for return authorization. Products must be returned using original packaging material only. Packing material may be purchased from Bryston if necessary. This warranty is considered void if the defect, malfunction or failure of the product or any component part was caused by damage (not resulting from a defect or malfunction) or abuse while in the possession of the customer. Tampering by persons other than factory authorized service personnel or failure to fully comply with Bryston operating instructions voids the warranty. This warranty gives you specific legal rights and you may also have other rights which may vary from province to province and country to country. As of 2006-02-22 Bryston will only warranty Bryston products purchased through authorized Bryston dealers. Bryston products with a date code of 0608 or higher (date code format is “yyww”, where “yy” is the two least significant digits of the year and “ww” is the week of the year) must be accompanied by a copy of the bill-of-sale from a Bryston authorized dealer to qualify for warranty service. The warranty is transferable from the original owner to a subsequent owner as long as a copy of the bill-of-sale from the original authorized Bryston dealer accompanies the re-sale. The copy of the bill of sale to any subsequent owner need ONLY include the Name of the Bryston Authorized Dealer and the Model and Serial number of the Bryston product. The warranty will only be honored in the country of the original purchase unless otherwise pre-authorized by Bryston.

#### BRYSTON SERVICE in CANADA:

Postal address: P.O. BOX 2170, Stn. Main  
PETERBOROUGH, ONTARIO  
CANADA K9J 7Y4

Courier address: 677 NEAL DRIVE  
PETERBOROUGH, ONTARIO  
CANADA K9J 6X7

PHONE: 705-742-5325  
FAX: 705-742-0882  
E-mail: cdnser@bryston.com

#### BRYSTON SERVICE in the USA:

79 COVENTRY ST., Suite 5  
NEWPORT, VERMONT  
U.S.A. 05855-2100

PHONE: 802-334-1201  
FAX: 802-334-6658  
E-mail: usaser@bryston.com

#### BRYSTON SERVICE outside Canada and the USA:

contact your local distributor or

CHECK OUR WEB SITE: [www.bryston.com](http://www.bryston.com)  
E-MAIL BRYSTON DIRECTLY: [cdnser@bryston.com](mailto:cdnser@bryston.com)  
FAX BRYSTON DIRECTLY: 01-705-742-0882  
PHONE BRYSTON DIRECTLY: 01-705-742-5325

## Table of Contents

Important Safety Instructions .....	2
General.....	4
Welcome .....	4
Description .....	4
Features .....	4
Shipping Box and Packing Material.....	4
Installation and Usage .....	4
Placement.....	4
Ventilation .....	4
Connecting to A/C Power .....	4
Connecting to a Bryston Phono Preamplifier .....	4
External Trigger .....	4
Front and Rear Panels .....	6

## General

### Welcome

Thank you for your purchase of a Bryston PS-3 DC Power Supply. The PS-3 is specially designed to power select Bryston electronics. Careful engineering and top-quality parts have been used to ensure that your PS-3 provides extremely well regulated and filtered DC power to ensure the best possible performance from mated electronics. Your feedback is important. We look to our customers for a measure of success. Please feel free to contact us with any feedback you may have about your product or purchase. Thanks again for owning Bryston electronics.

### Description

The Bryston PS-3 is designed to power a single Bryston BMM or BMC phono preamplifier. With a specially supplied Bryston DC cable, it can also be used with a variety of other Bryston equipment when an external power supply is required. It accepts AC mains power, and produces a clean DC supply which is then used by select Bryston equipment which does not already have a built-in power supply. The PS-3 is not a general-purpose audio power supply and must only be used with specified Bryston equipment and be connected only with the supplied cables.

### Features

Bryston PS-3 includes the following features:

- AC mains input (see Data Plate on page ) and DC output.
- All steel chassis provides excellent shielding against environmental noise.
- Fully analog power supply, toroidal transformer.
- Highly effective filtration and regulation provides clean DC output.
- Compatibility with many Bryston products such as BMM, BMC phono preamplifiers and BP-26 line preamplifier.

### Shipping Box and Packing Material

Please keep the original shipping box and all

packing material. This will ensure the PS-3 is protected in future transport. In the unlikely event you have a problem and must return it for service, you must use the proper packing material. Ship the unit only in the original packing material, as the unit is not insurable by carriers otherwise. Replacement packing materials consisting of a shipping carton with plastic foam inserts is available from Bryston for a small fee.

## Installation and Usage

### Placement

When practical, the PS-3 should not be placed immediately above or below audio electronics sensitive to noise. Avoid stacking the PS-3 when possible.

### Ventilation

The PS-3 is a cool-running power supply. Under normal circumstances, it will operate at slightly above ambient temperature. However, it should not be tightly enclosed or otherwise completely obstructed from normal air flow upon which it relies for proper cooling. It may be placed above, beside, or below other electronics provided those units do not generate a substantial amount of heat or fully obstruct airflow as described above.

### Connecting to A/C Power

Please check the Data Plate on the right rear of the amplifier to verify power requirements agree with your location. See Data Plate. Plug the IEC-320 C14 end of the power cord into the amplifier, then plug the other end into an approved and grounded A/C receptacle. The power supply may now be connected to partnering Bryston audio electronics.

### Connecting to a BMM or BMC Phono Preamplifier

Your BMM or BMC phono preamplifier includes a DC power cable terminated to fit the preamplifier on one end and the PS-3 on the other. Connect the PS-3 to your phono preamplifier accordingly. The sockets are locking and can only be released

## PS-3 Power Supply

by depressing the lock tab on the PS-3 or attached device.

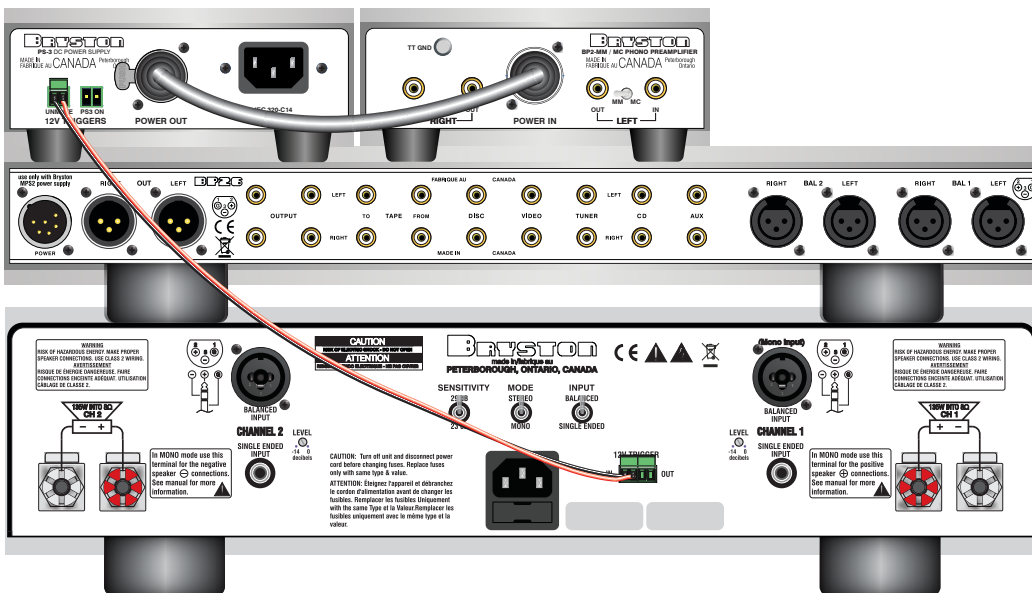
### External Trigger

The PS-3 can modulate the operational state of downstream electronics based on either the power state of the PS-3 or the MUTE state of the attached preamplifier or phono preamplifier. For example, if your PS-3 powers a BP-2 phono preamplifier, you may want to automatically power up your amplifier when you take the BP-2 out of mute. Or, if you want to power-down the preamplifier (rather than simply mute) and have the amplifier power down as well, connect the trigger output to the trigger input of your amplifier.

Use paired wire 12-26 AWG. Strip and secure the wire to the provided terminal blocks. Tighten with flat blade screwdriver to no more than 0.5N-M (4.5lbs) torque.

In the configuration shown, the amplifier is powered up when the preamp is taken out of mute. To power up the amplifier when the PS-3 is powered on (regardless of preamp mute condition), use the 'PS-3 ON' trigger port instead of 'UNMUTE'.

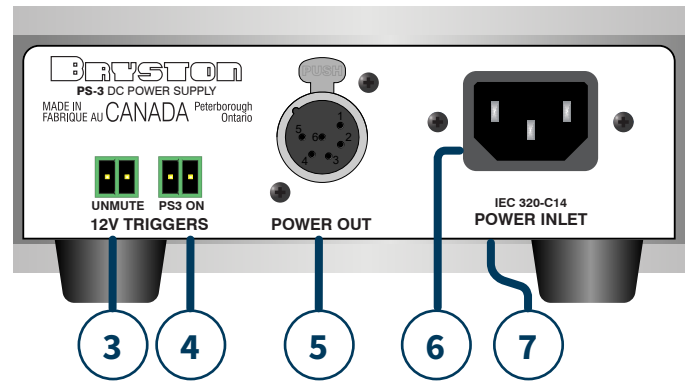
Connected equipment should draw less than or equal to 50mA at 12V DC.



Separate twisted wires by 1 inch.  
Strip wires back by 1/4 inch.



Bryston part number  
CO-110A-11102



## Front and Rear Panels

### 1. Power Switch

Latching push button switch to apply or remove AC power to PS-3. Press switch in to power on the unit. Press again for switch to move outwards to remove power.

### 2. Power LED

The LED lights green (optionally blue) when the PS-3 is powered on.

### 3. 12V Trigger: Unmute

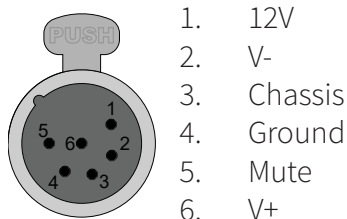
When an attached compatible preamp is muted, the PS-3 can trigger connected equipment off. See “External Trigger” on page 5 for more detail.

### 4. 12V Trigger: PS-3 ON

Trigger attached equipment on or off when the front panel power switch is pressed by connecting. See “External Trigger” on page 5 for more detail.

### 5. Power Out Connector

Connect compatible Bryston equipment to this port with the cable provided with the partner equipment. Pin out is as follows



### 6. AC Power Inlet

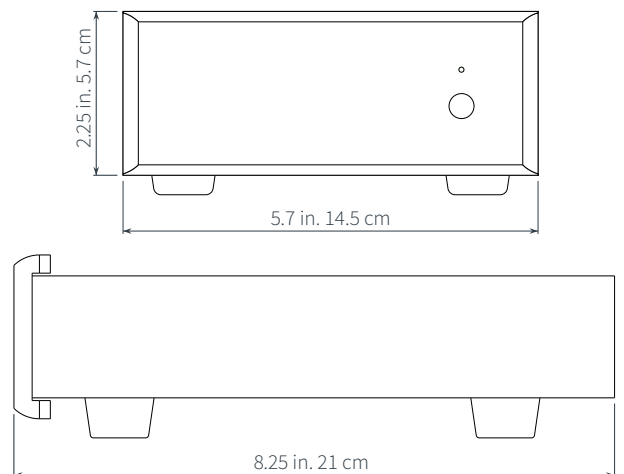
Connect the PS-3 to your AC Mains power using the provided IEC-320 C13 power cable. Check the Data Plate located on the bottom of the unit to ensure that the PS-3 is configured for AC power in your locality.

### 7. Data Plate

PS3-SIL-120  
~120V 60Hz 25W  
Serial No: PS3-00000  
Date: 1530 REV: 1234

The data plate is located underneath the unit and lists the model number, voltage requirements, serial number, and date code. Ensure that the voltage and line frequency conform to your locality before powering the unit on.

## Dimensions



## PS-3 Power Supply

### Specifications

<b>Power Consumption</b>	120V/60Hz: 4 Watts
	220V/50Hz: 4 Watts
	240V/50Hz: 4 Watts
<b>Weight</b>	5.4 lbs
	2.5 kg

Bryston Limited | 677 Neal Drive | Peterborough, Ontario K9J 6X7  
Canada | Phone: 705-742-5325 | [www.bryston.com](http://www.bryston.com)