

Precision Stereo Pre-Amplifier C-3850



Accuphase Laboratory, Inc.

1

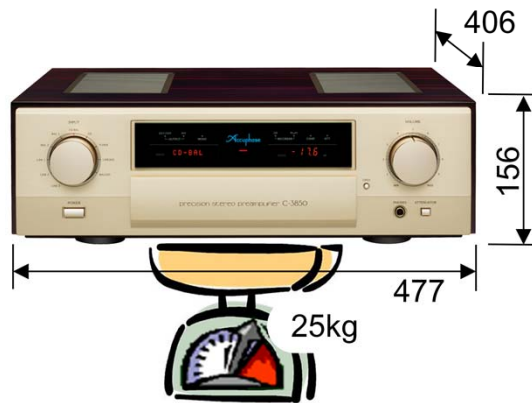
Accuphase launched flagship pre-amplifier C-3800 as the 40 years anniversary model in 2010. C-3850 is our new flagship pre-amplifier pursuing the best electrical performance and sound quality as a succession model of C-3800.

C-3850's technical feature is 20 % lower noise performance than C-3800 achieved by the improved Balanced AAVA(Accuphase Analog Vari-gain Amplifier).

Dimensions and Weight

- Same dimensions the former model
 - Width 477 mm
 - Height 156 mm
 - Depth 406 mm
 - Weight 25.0 kg

0.2kg heavier than the former model



Accuphase Laboratory, Inc.

2

The size of C-3850 is as same as the former model C-3800.

However C-3850 is 0.2kg heavier than C-3800 as the power transformer is reinforced.

Front display

- Easy to see large “Volume display”



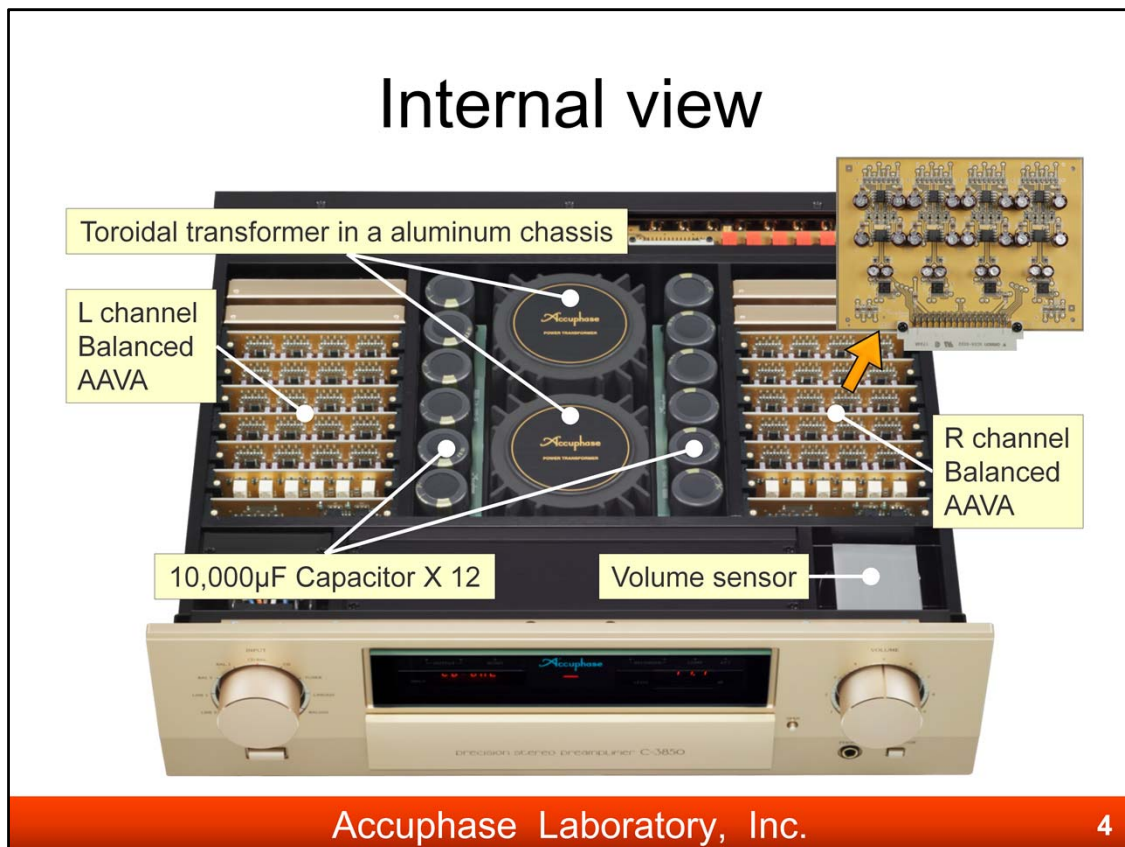
Accuphase Laboratory, Inc.

3

C-3850 has refined the volume display from the former model.

It newly applies 7-segment LED from previous dot matrix LED, and shifts the display position downward.

C-3850 achieves much better visibility with above improvements.



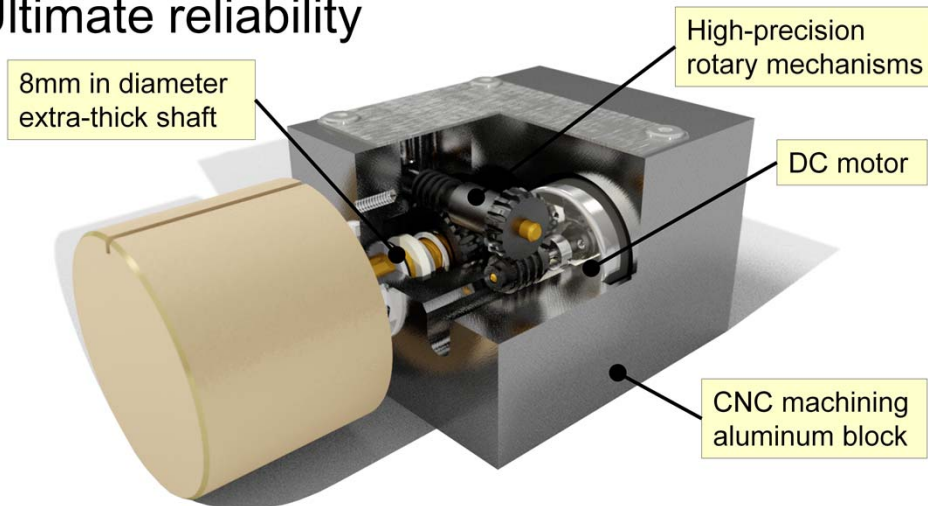
C-3850 inherits C-3800's internal construction as it is.

It has complete symmetric layout centered on strong power supply by large Troidal transformer with heat-radiation fins and 12 pieces of special made 10,000 μ F capacitors.

Amplifier circuits are mounted on Glass Cloth Fluorocarbon Resin PC-Board by Fully Modular Construction which has beneficial effects on the radiation performance and the ease of maintenance.

Custom volume sensor mechanism

- Distinguished operation feeling
- Ultimate reliability



Accuphase Laboratory, Inc.

5

The music signal does not pass volume mechanism in AAVA and also balanced AAVA. It is just a position sensor to set sound volume. However, the feeling of the volume knob is very important for audio people.

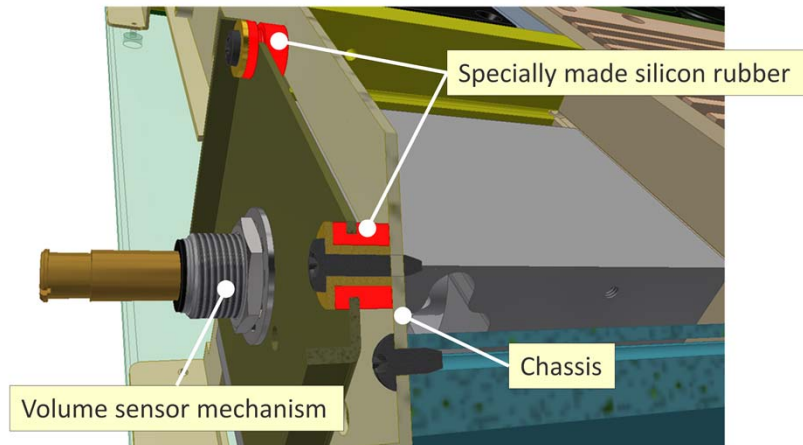
Therefore the volume sensor mechanism of splendid operation feeling was newly developed in C-3800's project.

It is build with CNC machining aluminum block, extra-thick shaft and more.

C-3850 utilizes the same volume sensor mechanism which was developed for C-3800.

Operating sound reducing

- Volume sensor mechanism is floating from the chassis.



Accuphase Laboratory, Inc.

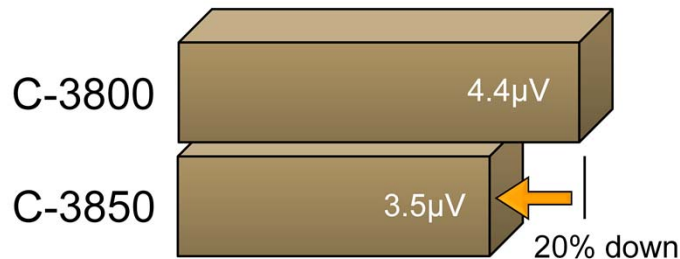
6

Former model C-3800 had a small operating noise because the motor's vibration comes down to the chassis when the volume controlled with a remote commander.

C-3850 succeeds in reducing such an operating noise by making the volume sensor mechanism and the chassis floating to block off the vibration with specially made silicon rubbers.

Ultra Low Noise

- 20% lower than former model
 - S/N ratio: 115dB guarantee
 - Input referenced noise: -127dBV guarantee

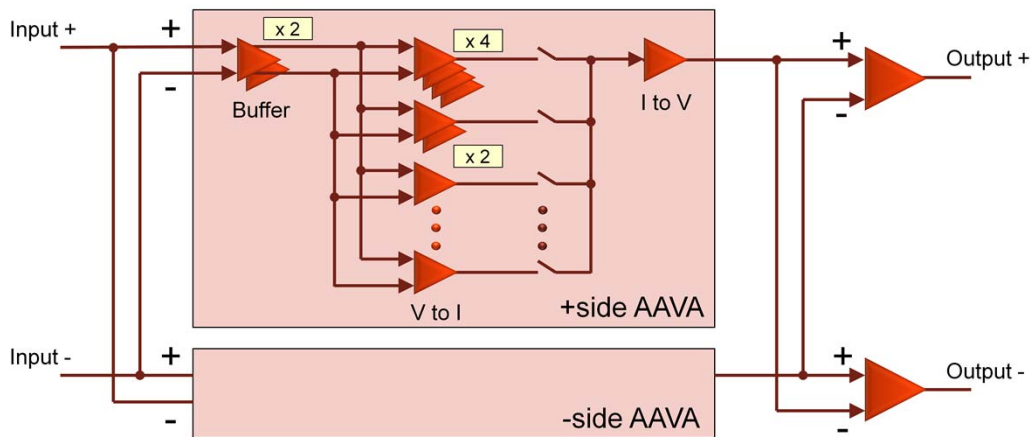


Graph of actual output noise @volume maximum

C-3850 has the lowest noise performance in the 42 years' history of Accuphase pre-amplifier. Its output noise voltage is 20% lower than C-3800's figure which was the world's best performance at that time.

Technology for ultra low noise

- Improvement of Balanced AAVA
 - Paralleled V-I converter in larger two units



The AAVA(Accuphase Analog Vari-gain Amplifier) is a radically different volume control principle that eliminates all variable resistors from the signal path.

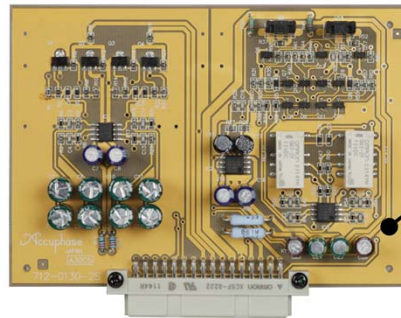
C-3850 employs two AAVA modules in a fully balanced configuration from input to output.

The AAVA module in C-3850 achieves low noise by fourth paralleled largest unit and paralleled second largest unit in “V to I” converter.

* The AAVA module in the former model C-3800 has paralleled larger two units in “V to I” converter.

Further more ...

- Instrumentation topology headphone amp.
 - Suitable impedance: 8 ohm or above
 - Selectable gain settings: -10dB, 0dB, +10dB
- High-quality remote commander



Glass Cloth
Fluorocarbon
Resin PC-board



Accuphase Laboratory, Inc.

9

Newly designed discrete circuit instrumentation topology headphone amplifier is equipped on C-3850. The adaptable impedance is 8 ohm or above and the gain setting is selectable.

Elegant and high-quality remote commander is supplied with.