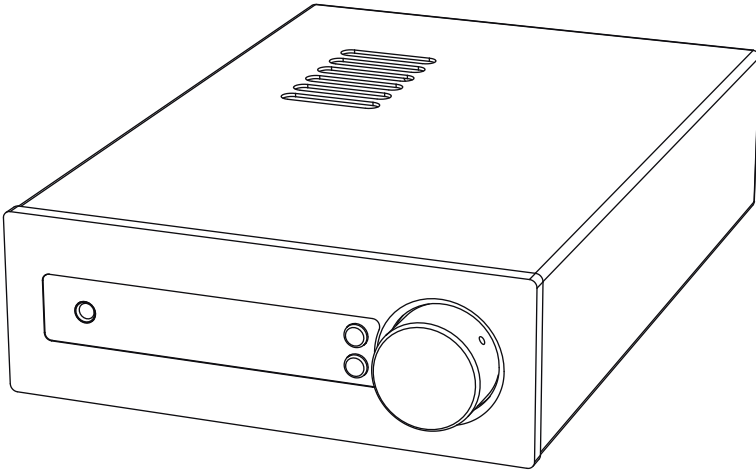


heed
forget hi-fi... remember music.



ELIXIR
integrated amplifier

owner`s manual

precautions

Instructions	All safety and operating instructions should be read and adhered to exactly as written here or as depicted on the unit. Please retain for future reference
Water and moisture	The unit should not be used near water - that is, near a bathtub, washbowl, kitchen sink, laundry tub, in a wet basement, or swimming pool, etc.
Ventilation	The unit should be situated so that its location or position does not interfere with its ventilation. For example, the unit should not be placed on a bed, sofa, rug, or similar surface, that may block the ventilation openings; or placed in a built-in installation, such as bookcase or cabinet that may impede the flow of air through the ventilation openings.
Heat	The unit should be situated away from heat sources such as radiators, stoves, etc.
Power-cord protection	Power-supply cords should be routed so that they are not likely to be walked on or pinched by items placed upon or against them, paying particular attention to cords at plugs, convenience receptacles, and the point where they exit from the unit.
Lightning	For added protection during a lightning storm, or when left unattended and unused for long periods of time, unplug the unit from the wall outlet. This will prevent damage to the product due to lightning and power-line surges.
Object and liquid entry	Care should be taken so that objects do not fall into and liquids are not spilled into the inside of the unit. For this reason, no objects filled with liquid, such as vases or drinking glasses should be placed on the equipment.
Damage requiring service	The unit should be serviced by qualified service personnel when: <ul style="list-style-type: none">- The power-supply cord or the plug has been damaged- Objects have fallen, or liquid has been spilled into the unit- The unit has been exposed to rain- The unit does not appear to operate normally or exhibits a change in performance- The unit has been dropped, or the cabinet damaged

The Elixir integrated amplifier do not have any user serviceable parts. It is essential that repairs and updates are only carried out by our authorised trade partners - distributors and dealers -, or at the factory by Heed Audio itself. Many components are custom made, tested or matched and appropriate replacements are often unobtainable from other sources.

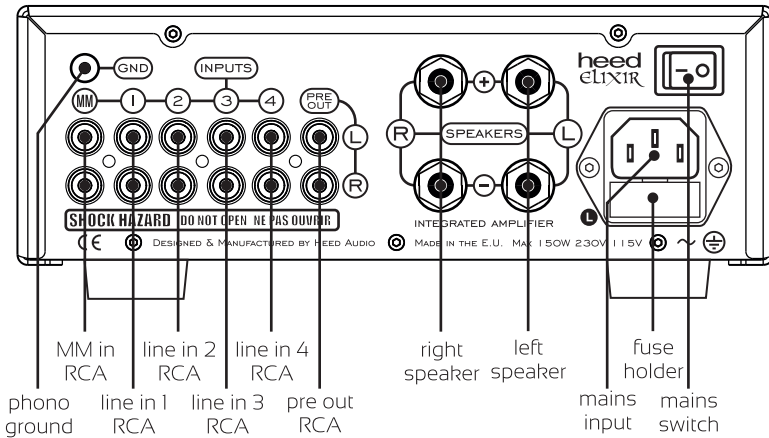
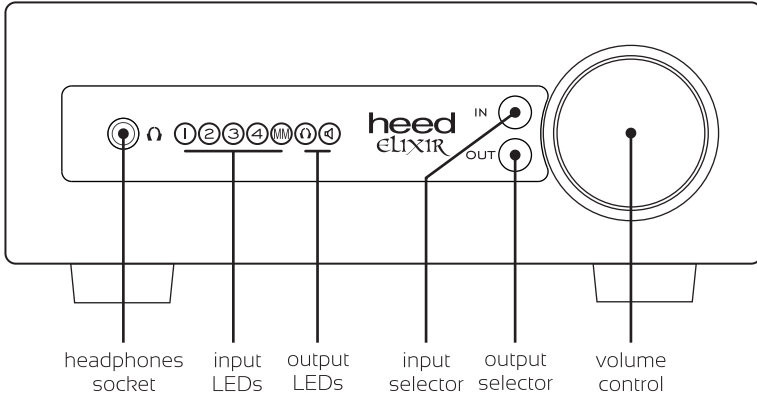
Therefore, users should not attempt to service the units beyond those means described in the operating instructions, or under any circumstances allow anyone to modify them. Unauthorised repairs or modifications will invalidate the guarantee of the units.

Grounding or polarization	Precautions should be taken so that the grounding or polarization is not defeated. All Heed components are designed to provide reasonable protection against harmful interference in a domestic installation. However, there is no guarantee that interference will not occur in a particular installation. If your Elixir does cause harmful interference to radio or television reception, which can be determined by turning off and on, you are encouraged to try to correct the interference by one or more of the following measures: <ul style="list-style-type: none">- Reorient or relocate the receiving antenna;- the separation between amplifier and receiver (radio tuner, television set, etc.)- Connect the equipment into a power outlet on a circuit different from that to which the receiver is connected;- your Heed dealer or any experienced radio/TV technician for help.
----------------------------------	---

Maintenance/cleaning It is recommended to dust the equipment from time to time with a soft dry cloth.

Do not use cleaning solvents or abrasives for cleaning!
Always switch off and unplug the unit from the power supply when cleaning!

controls and connections



important note

always turn off the amplifier and wait 2 minutes before changing interconnect or speaker cables

installation

The installation procedure is straight-forward enough that you may install your new Elixir yourself by following the instructions contained herein. Should any problems be experienced which are not covered here, contact your local dealer. If you are unable to do so, or problems persist, however, do not hesitate to contact our distributor / reseller in your country (see our website) or us directly at Heed Audio.

unpacking

When opening the cardboard and unpacking the unit, you will find following items being supplied with:

Heed Elixir integrated amplifier, remote control handset, IEC-norm mains power cord, Owner's manual

placement

In common with all high-quality audiophile equipment, the Elixir performs optimally when positioned on its own individual mounting surface, ideally a light rigid structure. There are many purpose built examples readily available from all better dealers.

Always allow adequate ventilation with sufficient airflow around the unit, do not mount on soft surfaces, for example, carpets or soft fabrics. Do not block the top or bottom venting holes.

connection to mains supply

Before performing any connections or disconnections ensure that the power on/off switch of the unit is in off position.

Always check that the voltage and frequency of the mains supply corresponds to the specifications as labeled on the unit.

1. Connect the power cord's IEC type plug into the power inlet connector of the Elixir.
2. Connect the power cord's mains plug to your power outlet (mains wall connector).

input connections

The Elixir has 5 pairs of high quality RCA input connections.

Number 1 to 4 inputs are standard line level analogue inputs. See specifications for data of the inputs. The MM marked input is a turntable input suitable for moving magnet cartridges or high-level moving coil cartridges. See specifications for data of this input.

I Never connect line level input into the MM marked input.

preamplifier out connection

Your Elixir has a pair of RCA preamplifier output if you would like to use the unit as a preamplifier. Alternatively you can connect a subwoofer or an additional power amplifier for bi-amplification to this output.

loudspeaker connections

The Elixir is equipped with high quality loudspeaker connectors suitable for 4 mm banana plugs, max. 8 mm² bare wire or spades

When connecting the loudspeaker cables ensure that the speakers are connected correctly, i. e. „+“ (red) to „+“ and „-“ (black) to „-“.

Before connecting or disconnecting loudspeaker cables switch off the unit and wait at least 2 minutes.

headphones connection

The frontplate headphone connector is suitable for headphones with 1/4" (6.35 mm) stereo Jack plugs. If your headphones have a 3.5 mm Jack plug you can use them with a 6.35 mm male to 3.5 mm female adapter.

operation

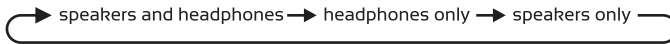
When all steps of installation are correctly completed, your Elixir is ready for action!

- Turn the volume knob counter-clockwise to the minimum setting
- Switch on your desired source components.
- Switch on your Elixir with the power switch on the rear panel and allow some time (5-10 minutes minimum) for warming up.

If your unit was transported or stored in cold environment allow it to warm up to room temperature before switching on!

output selection

You can select which output you'd like to listen to with the output selector button on the frontplate. By pressing the button you select the next state of the output options, following this order:



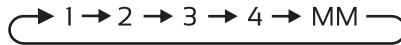
The actual state of the outputs marked by LEDs on the front panel.

Always turn the volume knob to the minimum setting before switching outputs.

When only the headphones output is activated the preamplifier output is muted.

input selection

The input you'd like to listen to can be selected either with the front panel input selector button or with the input up (▲) or input down (▼) buttons of the remote control handset. The front panel button operates in the following state order:



muting

The muting function of your Elixir is only available with the remote control handset. When it is applied the volume LED is blinking. You can still switch inputs or outputs or set the volume while the unit is muted.

Before de-muting the unit ensure that the volume is not adjusted to undesirably high levels.

notes

Although you can use your Elixir within seconds of switching it on, as with all audio equipment the best sound quality will be reached after a period of warm-up time, preferably a couple of hours. However, thinking of our environment, your Elixir should be switched off after use or when left unattended for extended periods, or in the event of thunderstorm. As mentioned previously, it is also necessary to switch the unit off when connecting any input or output cables.

During heavy use or even prolonged time of idle state (due to the built-in class-A headphone amplifier) the housing of the unit becomes warm. If you use 4 Ω speakers with high volume levels your amplifier becomes even warmer.

It is a perfectly normal condition until you follow some basic rules:

- Be sure you leave sufficient space around the unit and do not block the top and bottom venting holes.
- It is not recommended to stack-up multiple heat-generating devices on each other. On lower loads (8 Ω speakers) you may place your Elixir upon another device as long as it remains the uppermost in the stack.

troubleshooting

no power, no lights	connect the mains supply chord and switch on the mains ☞ <i>still not OK?</i> disconnect the mains chord then check the fuse on the back panel and replace it with the same rated one if it is blown ☞ <i>still not OK?</i> test your mains socket with an other appliance and if it does not work either check your household fuse or contact your electrician ☞ <i>still not OK?</i> contact your heed dealer
no sound from any output	turn on your source component, select the corresponding input and desired output, be sure if the unit is not muted and apply some volume ☞ <i>still not OK?</i> check the connections go to and from the amplifier ☞ <i>still not OK?</i> contact your heed dealer
no sound from speakers but headphones are OK	be sure you selected the „speakers only“ or „speakers and headphones“ output ☞ <i>still not OK?</i> contact your heed dealer
no sound from headphones but speakers are OK	be sure your selected the „headphones only“ or speakers and headphones“ output ☞ <i>still not OK?</i> contact your heed dealer
no sound from left or right speaker	check all connections again, watch for loose or poorly soldered contacts and change your cabling if necessary ☞ <i>still not OK?</i> swap your speakers and to see if the problem swaps over. if so, your loudspeaker is faulty ☞ <i>still not OK?</i> be sure your phono cartridge is connected properly ☞ <i>still not OK?</i> contact your heed dealer
no sound from left or right headphone	check all connections again, watch for loose or poorly soldered contacts and change your cabling if necessary ☞ <i>still not OK?</i> swap your left and right input cabling and if the problem swaps over your source is faulty ☞ <i>still not OK?</i> check your headphones with an other appliance to see if it works properly ☞ <i>still not OK?</i> contact your heed dealer
loud hum when MM input is selected	if your tonearm has a separate earth wire then connect it to the phono ground nut of your amplifier ☞ <i>still not OK?</i> place your amplifier and any other equipments as far from your turntable as possible ☞ <i>still not OK?</i> contact your heed dealer
rc handset does not work	do not block the front panel area of your amplifier ☞ <i>still not OK?</i> change your RC handset batteries with the same type ☞ <i>still not OK?</i> contact your heed dealer

specifications

inputs:	4 pairs RCA line input 1 pair RCA MM phono input
outputs:	2 pairs 4 mm speaker connector 1 pair RCA preamplifier output 1 front panel 1/4" (6.35 mm) headphones Jack
power (power amplifier):	50 W / 8 Ω both ch (55 W peak / ch) 65 W / 4 Ω both ch (90 W peak / ch)
power (headphone amplifier):	max. 210 mW / 75 Ω load
impedance (headphones):	ideally above 50 Ω (min. 30 Ω)
input impedance:	10 k Ω (1 - 4 line inputs) 47 k Ω / 100 pF (MM phono input)
input sensitivity:	135 mV (1 - 4 line inputs) 1.35 mV (MM phono input)
frequency response:	3.5 Hz - 300 kHz (preamplifier, -1 dB) 10 Hz - 110 kHz (power amplifier, -3 dB) 3.5 Hz - 320 kHz (headphone amplifier, -1 dB)
RIAA accuracy:	+/- 0.5 dB
power consumption:	150 W max. 20 W idle
weight:	6 kg
dimensions:	22 x 8.7 x 34.5 cm (W x H x D)

heed audio factory contact

Heed Audio Kft. (Ltd.)
Reviczky Gyula u. 9-11
H-1181 Budapest
Hungary

Tel/fax: +36 1 294 7401
info@heedaudio.hu
www.heedaudio.com

distributor contact

warranty

Service enquiries in countries with appointed distributor should be addressed first to the supplying dealer and/or Heed Distributor.
Warranties granted in these countries are entirely at the discretion of distributor.

factory warranty

If within three years of the purchase date your Heed Elixir proves to be defective for any reason other than accident, misuse, neglect, unauthorised modification or fair wear and tear, Heed Audio Ltd. will, at its discretion, replace the faulty parts without charge for labour. This factory warranty is valid only for units sold into countries with no appointed Heed Distributor.