

heed
forget hi-fi... remember music.

inputs: 4 pairs RCA line input
1 pair RCA MM phono input
1 pair Home Theater bypass input
1 Bluetooth wireless input

optional DAC card: 1 USB
1 coaxial
1 optical

outputs: 2 pairs speaker connectors
1 pair RCA preamplifier output
1 pair RCA fixed line output
1 front panel 6.35 mm headphones Jack

power (power amplifier): 60 W / 8 Ω both ch
100 W / 4 Ω both ch

power (headphone amplifier): max. 210 mW / 75 Ω load

impedance (headphones): ideally above 50 Ω (min. 15 Ω)

input impedance: 10 k Ω (1 - 4 line inputs)
47 k Ω / 100 pF (MM phono input)

RIAA accuracy: +/- 0.5 dB

power consumption: 600 VA max.
20 W idle

weight: 15 kg

dimensions: 43 x 9 x 34.5 cm (W x H x D)

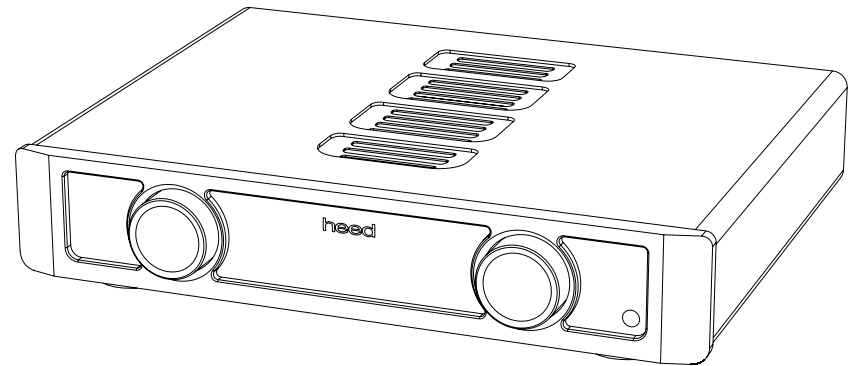
Heed Audio Kft. (Ltd.)
Reviczky Gyula u. 9-11
H-1181 Budapest
Hungary

Tel.: +36 1 294 7401
info@heedaudio.hu
www.heedaudio.com

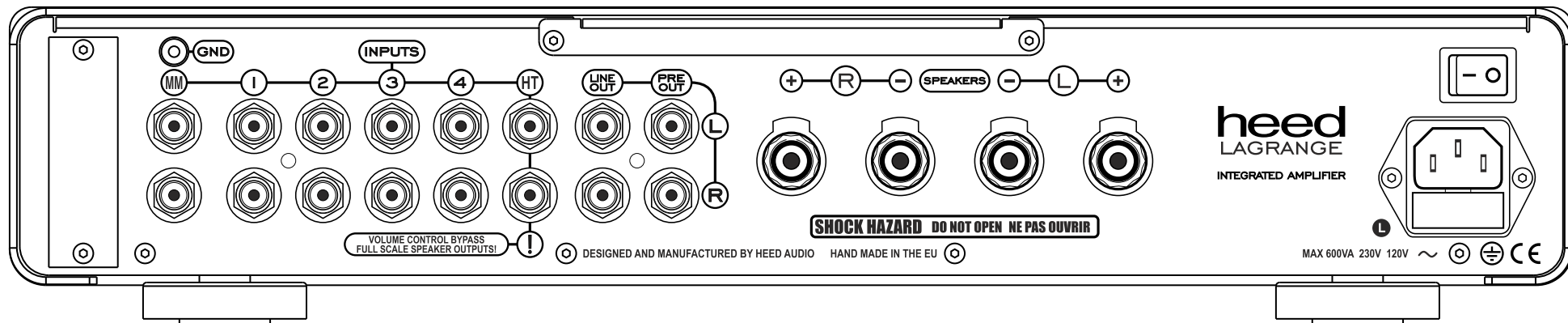
heed

LAGRANGE

INTEGRATED AMPLIFIER



QUICK START GUIDE



INPUTS:

- LINE 1 – 4: Standard line inputs
- LINE 5 HT: Home theater bypass. **WARNING!** When this input is selected the volume control is inactive, the full scale input level is coupled to the power amplifier section! Do not connect any fixed line level signal to this connector, only a volume controlled signal is accepted!
- MM phono: Moving magnet phono cartridge input
- BT: Bluetooth wireless input. Ready for connection in any position of the input selector.

Optional DAC Card:

USB with DSD
Coaxial S/PDIF
Optical S/PDIF

OUTPUTS:

- PRE OUT: Volume controlled output
- LINE OUT: Fixed line level output
- SPEAKERS: High level output for loudspeakers, impedance 4 – 8 Ohms
- HEADPHONES: 6.35mm stereo output for any dynamic headphones. When headphones are connected, the speaker outputs are muted.

PLACEMENT:

Any rigid surface can be sufficient for placing your Lagrange. Please consider the weight of the amplifier. It is best to place it on a sturdy piece of furniture with stable footing and the least possible movement.

VENTILATION:

Always allow adequate ventilation and airflow around the unit. Do not place it directly on carpet, soft fabric, etc. that can block the ventilation holes.

HEAT DISSIPATION:

The Lagrange has a Class A headphone amplifier inside, which generates some amount of heat at idle. This is normal.

CONNECTIONS:

It is best to do any cable connection when the amplifier is switched off. Take extra care when connecting loudspeakers! Do not touch any of the poles to ground or to each other!

REMOTE CONTROL:

Volume up (+) and down (-), input up (▲) and down (▼), and mute functions are available. When muted, the volume knob LED is off.

Input selection cycle (*with optional DAC card):

L1→L2→L3→L4→MM→BT→(USB*→COAX*→OPT*)→L5HT→L1

DISPLAY:

The Lagrange has an auto-off OLED display. To see the actual input, push the up or down button on the remote shortly, or turn the input selector one click to left or right. Until the display is on, the input selection works as usual.